



Predictable, continuous and efficient power systems engineered for organizations with zero tolerance for downtime.



# CLEANSOURCE® UPS Single-Module Systems

battery-free energy storage

high reliability

60

97%

150 - 300

300

600

900

480

Hz

efficiency

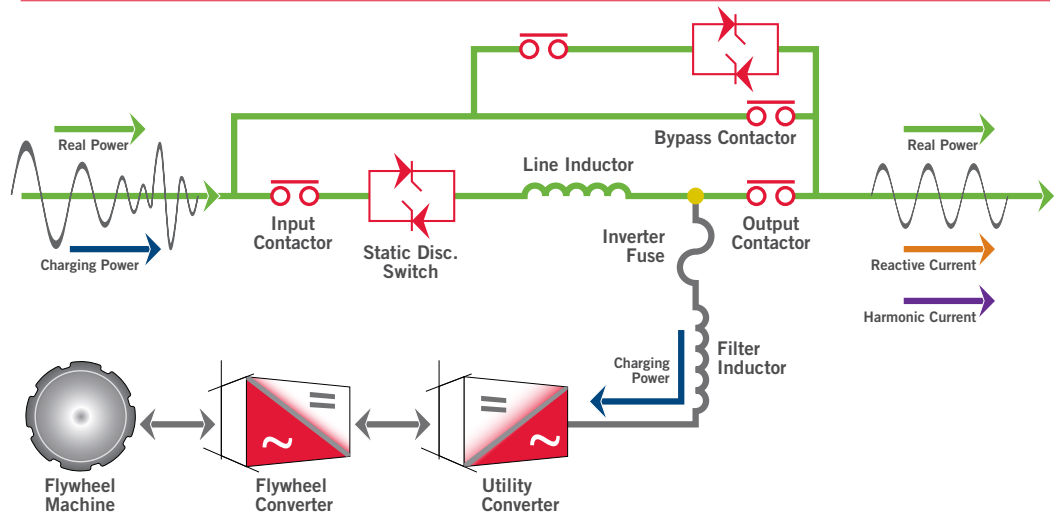
kVA

V

## SYSTEM FEATURES

- Rugged, on-line and fault-tolerant UPS
- Most efficient UPS architecture
- Handles multi-load characteristics
- Cost-effective lifecycle cost
- Predictable flywheel energy storage
- 20-year design life
- Low service and maintenance requirements
- Smallest available footprint
- Rapid recharge time
- Dual input and integrated maintenance bypass option
- Predictive failure analysis
- Wide operating temperature range
- Remote and local monitoring
- 10" color LCD touch-screen display
- Quiet operation
- Simple and cost-effective installation
- Multi-vendor generator and switchgear compatibility
- Field-proven reliability
- No hazardous waste material

## PARALLEL ONLINE ARCHITECTURE



intelligently  
**EFFICIENT**

inherently  
**RELIABLE**

economically  
**GREEN**

**PRODUCT SPECIFICATIONS**

MODEL	UPS 150	UPS 300	UPS 300 (dual input)		
<b>RATING</b>					
Maximum kVA	150	300	300		
Maximum kW	120	240	240		
<b>INPUT</b>					
Voltage <sup>1</sup>	480 VAC 3-phase, 3-wire plus ground				
Voltage Range	+10% / -15% (programmable)				
Frequency	60 Hz +/- 10% maximum (programmable) +/- 3% (default)				
Power Factor	0.99 at rated load and nominal voltage				
<b>Harmonic Current Distortion</b>					
Linear Load	<3% at 100% load				
Non-Linear Load <sup>2</sup>	<8% at 100% load				
Current - Nominal (480 VAC)	152	299	302		
Current - Max. Continuous	320	400	400		
Current - Max. Non-Continuous	320	420	420		
Surge Withstand	Meets IEEE 587/ANSI C62.41				
Walk-In	1 to 15 seconds (programmable)				
<b>OUTPUT</b>					
Voltage	480 VAC 3-phase, 3-wire plus ground				
<b>Voltage regulation</b>					
Steady state	+/-1% for +/-10% input				
Flywheel mode	+/-1% steady state				
Transient	+/-1% within 50 mSec for 100% load step				
Voltage distortion <sup>2</sup>	<2% linear loads and <5% for 100% non-linear loads				
Frequency	60Hz (mains synchronized) (normal operation +/- 0.2% free running)				
Slew Rate	Adjustable from 0.2Hz/second to 3.0Hz/second				
Current - Nominal (480 VAC)	181	361	361		
<b>Overload Capability-Mains Operation<sup>3</sup></b>					
	Continuous	10 Min	2 Min	30 Sec	10 mSec
	105%	125%	150%	200%	>200%
UPS Efficiency <sup>4</sup>	97%	98%	97%		
<b>Environmental</b>					
Audible Noise	<70 dBA 1 meter				
<b>Temperature</b>					
Operating	32 to 104° F 0 to 40° C				
Storage	-13 to 158° F -25 to 70° C				
Humidity	5% to 95% (non-condensing)				
Altitude <sup>5</sup>	Up to 3,280 feet Up to 1000 meters				
Emissions and Immunity	FCC Class A, Subpart J of Part 15/ EN 62040-3				
<b>Heat Rejection- Online<sup>4</sup></b>					
kW	5.0	6.2	8.7		
BTU/Hr	16,940	20,992	29,612		
<b>PHYSICAL DATA</b>					
Height	78.0 in 1,981 mm				
Width	58.6 in 1,488 mm	82 in 2,082 mm			
Depth	34.0 in 865 mm				
Weight	4,900 lbs 2,223 kg	5,500 lbs 2,495 kg			
Cable Entry	Top or Bottom				
Safety	UL 1778 Listed CUL CAN/CSA 22.2 No. 107.1 Listed				

<sup>1</sup> Optional 4-wire except for 300 dual input  
<sup>2</sup> EN 62040-3  
<sup>3</sup> 150 overload capacity max 10mSec >150%

<sup>4</sup> DC energy storage offline  
<sup>5</sup> Derate operating temperature for higher elevations

**STANDARD RIDE-THROUGH TIMES (SECONDS)**

Load%	Time	
	150	300
100%	27	14
75%	36	19
50%	52	28
25%	87	52

**FACTORY INSTALLED EQUIPMENT**

**Standard**

- CSView™ – advanced real-time monitoring
- IGBT-based UPS technology
- Flywheel energy storage
- Superior power conditioning
- High-speed voltage regulation
- Static bypass circuit
- User-friendly control panel
- Redundant cooling fans
- Redundant control power
- Power factor correction
- Intelligent self-diagnostics
- Serial connections
- Back-feed protection
- Harmonic cancellation

**Optional**

- Remote SNMP/MODBUS monitoring capability
- Remote status panel
- Seismic provision
- GenSTART™ Generator Start Power
- Dual input and integrated maintenance bypass

**Americas Headquarters**

2128 W. Braker Lane, BK12 • Austin, Texas 78758-4028  
Tel: 877.BUY.ACPW • Fax: 512.836.4511  
sales@activepower.com

**EMEA • Active Power Solutions Ltd. (UK)**

Unit 7 • Lauriston Business Park • Pitchill • Evesham  
Worcestershire WR118SN • United Kingdom  
Tel: +44 1386 870 006 • Fax: +44 1386 870 806  
emea@activepower.com

